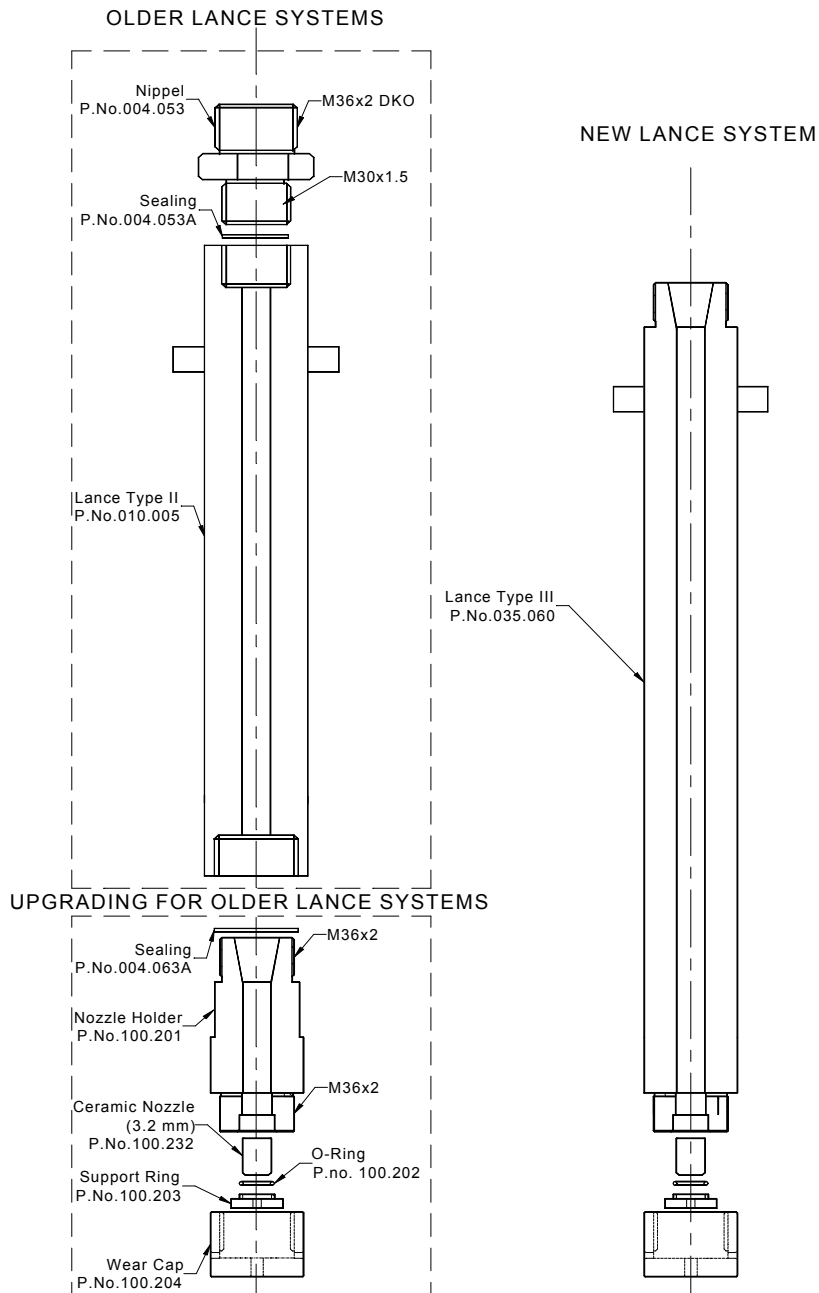


Latest State Of The Art For Hydrodemolition

ACCESSORIES

HYDRODEMOLITION

High Efficiency Nozzle System



A market leader serving the global Hydrodemolition Industry

AQUAJET
SYSTEMS AB
PROVEN HYDRODEMOLITION EQUIPMENT



B33
0008

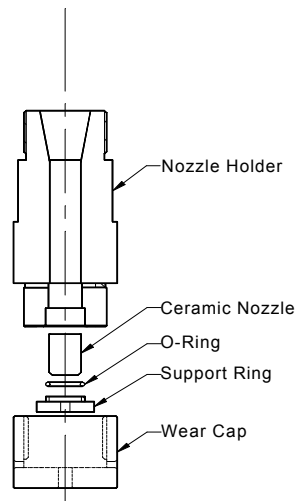
The High Efficiency Nozzle System

Description:

- ✓ In our effort to constantly improve on our Hydrodemolition process AQUAJET SYSTEMS AB has developed a new nozzle system which delivers a cleaner, smoother and therefore stronger jet of water. The high level of nozzle efficiency is achieved by means of an inside surface smoothness of, or resistance factor, of less than 0.4 RA., as well as a geometric shape from where the water enters the nozzle to where it exits the nozzle. What this means to you, as the customer, is more nozzle power resulting in a savings in time, money, and effort.
- ✓ This system can be used on all AQUAJET AQUACUTTER systems whether new or old. On an older lance it will be necessary to use a high efficiency nozzle holder in place of the standard nozzle holder. On a new system the lance (035.060) has been redesigned specifically for the high efficiency system. Simply insert the nozzle and screw on the wear cap. The wear cap secures the nozzle and protects it from flying debris as well as any surface contact. It is no longer necessary to use a hose coupling as the high pressure hose will fit directly to the lance. The greatest degree of efficiency will be achieved when using the redesigned lance.

Technical Data:

Item.	Ordering no.
Wear Cap	100.204
Support Ring	100.203
O-Ring	100.202
Ceramic Nozzle	100.2** = Orifice size
Lance	035.060
Nozzle Holder	100.201



AQUAJET
SYSTEMS AB
PROVEN HYDRODEMOLITION EQUIPMENT



Postadress/postal address
AQUAJET SYSTEMS AB
Brunnsvägen
SE-570 15 Holsbybrunn, Sweden

Telefon/Telephone
Nat 0383-50801
Int +46-383-50801

Telefax/Facsimile
Nat 0383-50730
Int +46-383-50730

VAT-ID-No
SE556314617301
Registered office
Vetlanda

E-mail
aquajet@aquajet.se
Internet
<http://www.aquajet.se>

Pictures are illustrative only and do not necessarily show configuration of products on the market at the given point in time. Product must be used in conformity with safe practice and applicable statutes, regulation codes and ordinances. Specifications of products and equipment shown herein are subject to change without notice. Subject to alteration without prior notice.