

Latest State Of The Art For Hydrodemolition

# ACCESSORIES

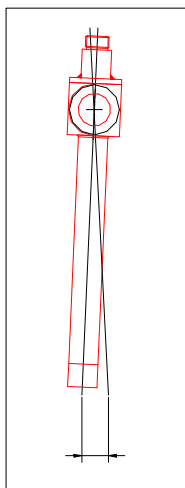
HYDRODEMOLITION

## New Oscillation System

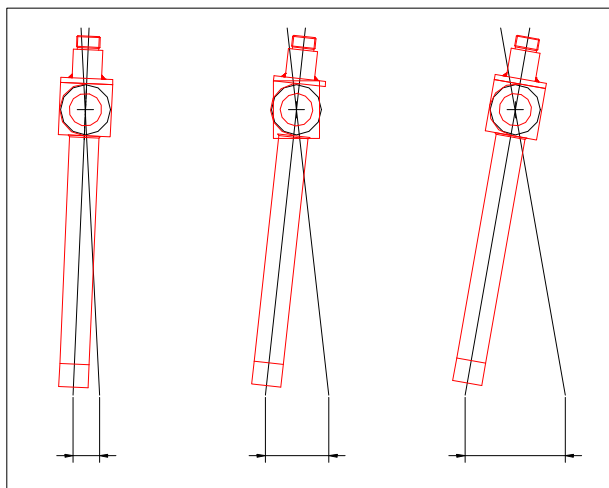
In our effort to constantly improve on our Hydrodemolition process AQUAJET SYSTEMS AB has developed a new Lance Oscillation system which features adjustable oscillation- stroke and angle. What this means to you, as the customer, is the possibility to apply different stroke and angle on the oscillating lance to adapt for different removal tasks resulting in a savings in time, money and effort.

This versatile oscillation system is standard on all new AQUA CUTTER Hydrodemolition machines, and it may as well be used on virtually all existing AQUA CUTTER machines whether new or old. The greatest degree of efficiency will be achieved when using the redesigned oscillation system.

Previous System



New Oscillation System



Contact us for specifications on an upgrading kit to your AQUA CUTTER Hydrodemolition machine

A market leader serving the global Hydrodemolition Industry

**AQUAJET**  
SYSTEMS AB  
PROVEN HYDRODEMOLITION EQUIPMENT



B45

0010

Postadress/postal address

AQUAJET SYSTEMS AB

Brunnsvägen

SE-570 15 Holsbybrunn, Sweden

Telefon/Telephone

Nat 0383-50801

Int +46-383-50801

Telefax/Facsimile

Nat 0383-50730

Int +46-383-50730

VAT-ID-No

SE556314617301

Registered office

Vetlanda

E-mail

aquajet@aquajet.se

Internet

<http://www.aquajet.se>

Pictures are illustrative only and do not necessarily show configuration of products on the market at the given point in time. Product must be used in conformity with safe practice and applicable statutes, regulation codes and ordinances. Specifications of products and equipment shown herein are subject to change without notice. Subject to alteration without prior notice.