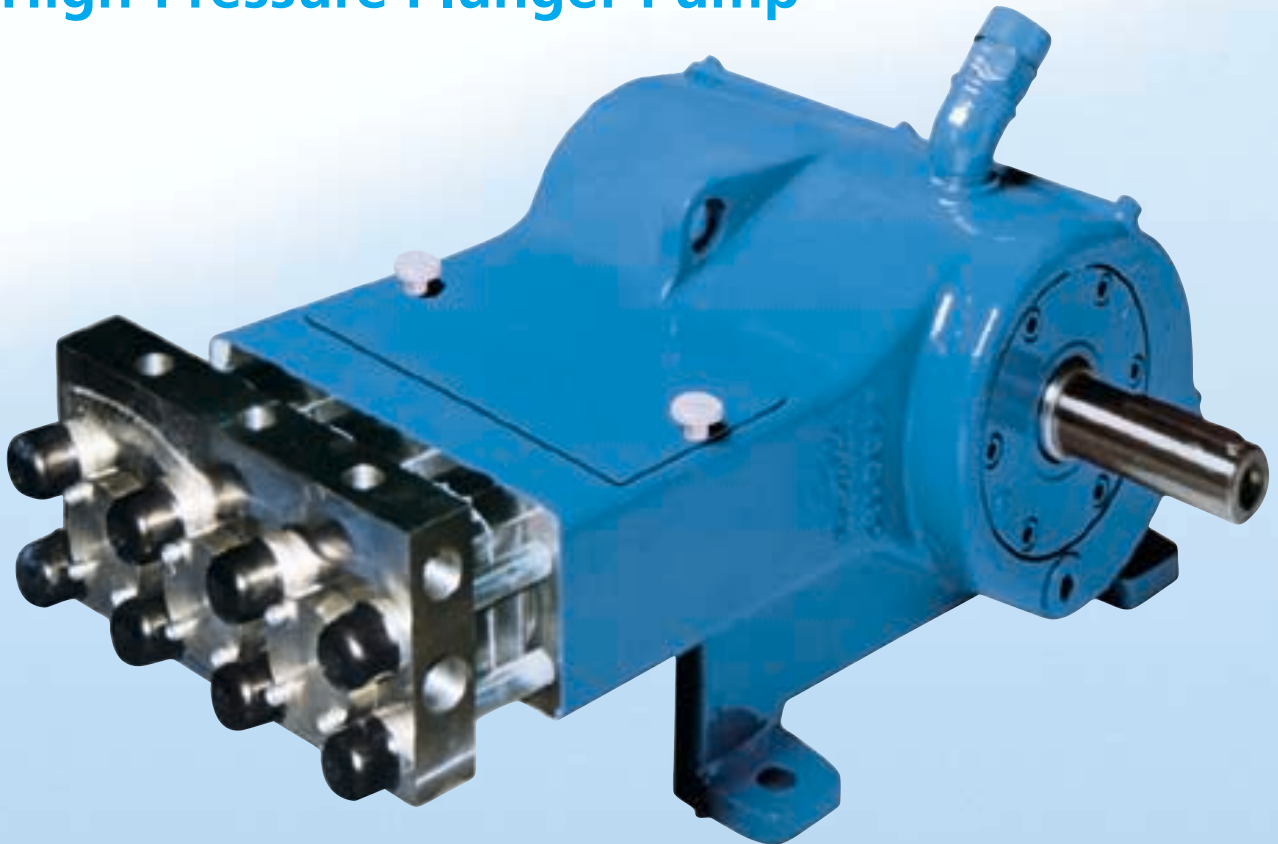




Water as a tool  
for a clean environment

# Type 45 Y

## High-Pressure Plunger Pump



### General Features

- ▶ Very compact design due to the Y-arrangement from suction and pressure line to the working room
- ▶ Two-piece pump head
- ▶ Very high service life even in continuous operation
- ▶ Low weight

### Pump Gear

- ▶ Proven pump gear construction, dust and splash water protected

### Pump Head

- ▶ Very flat, load-stress free pump head
- ▶ Corrosion resistant, high-strength forged steel
- ▶ Exclusive valve-seat construction
- ▶ Conversion set for different water flow rates and operating pressures
- ▶ Additional sealing-water system
- ▶ High hydraulic efficiency
- ▶ Easy maintenance due to simple assembly

### Additional Equipment

- ▶ Pressure regulating valve, manually or pneumatically operated
- ▶ Pneumatically operated 2/2-way switch valve
- ▶ Full lift safety valve
- ▶ Plungers made from special materials

# Technical Characteristics



## WOMA Apparatebau GmbH

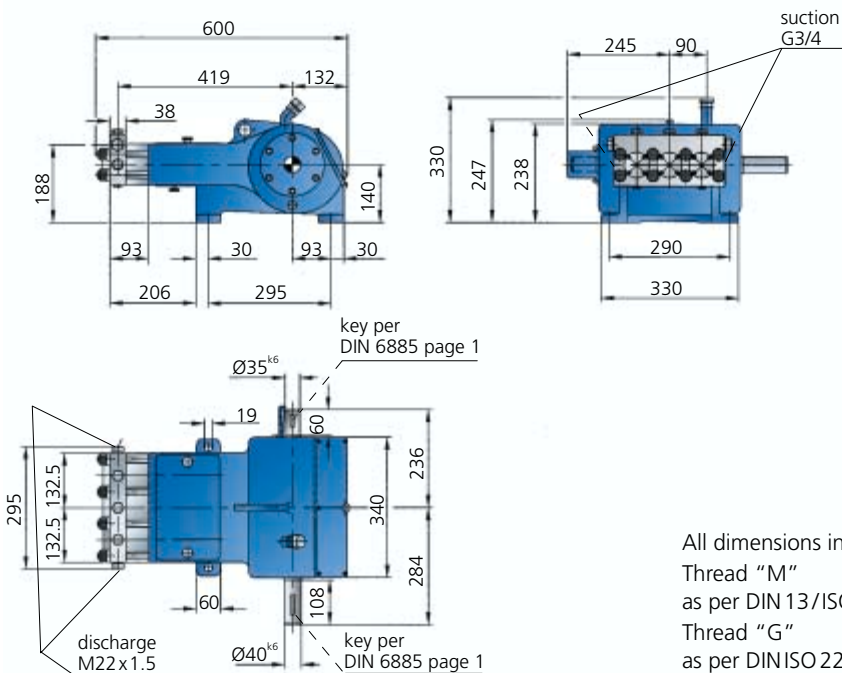
Werthausen Str. 77-79 · D-47226 Duisburg  
 P.O. Box 14 18 20 · D-47208 Duisburg  
 Phone +49 2065 304-0 · Fax +49 2065 304-200  
 Internet: <http://www.woma.de>  
 E-mail: [info@woma.de](mailto:info@woma.de)

### Technical Data:

- ▶ Oil capacity: approx. 4.5 l
- ▶ Weight: approx. 97 kg net
- ▶ Stroke: 44.5 mm / 1.75 inch
- ▶ Inlet pressure required: 20-45 psi / 1.5-3 bar
- ▶ Rod force: 18 kN

**Performance Chart Pump Type 45 Y**

Plunger-diameter (mm)	Pinion- and crank shaft (Rpm)	Required drive (kW)	Nominal flow rate			Maximum permissible operating pressure (psi/bar)
			USG pm	IMPG pm	l/min	
P 15	750	30	4.22	3.52	16	14,500/1,000
	825	33	4.75	3.96	18	
P 16	750	31	5.02	4.18	19	13,000/900
	825	34	5.54	4.62	21	
P 18	750	31	6.34	5.28	24	10,100/700
	825	34	7.13	5.94	27	
P 19	750	31	7.13	5.94	27	9,100/630
	825	34	7.92	6.60	30	
P 20	750	31	7.92	6.60	30	8,200/570
	825	34	8.71	7.23	33	



All dimensions in mm  
 Thread "M"  
 as per DIN 13/ISO 261  
 Thread "G"  
 as per DIN ISO 228/1

### Delivery Programme

High-pressure plunger pumps  
 High-pressure water jet systems  
 High-pressure water tools  
 and accessories

### Fields of Application

Agriculture  
 Automotive and aviation industry  
 Beverage industry  
 Cement industry  
 Chemical industry  
 Construction and concrete industry  
 Engineering industry  
 Food industry  
 Glass, porcelain, ceramic industry  
 Iron, steel and metal industry  
 Mining  
 Municipal services  
 Offshore industry  
 Power industry  
 Public transport  
 Pulp and paper industry  
 Ship building  
 Wood working industry